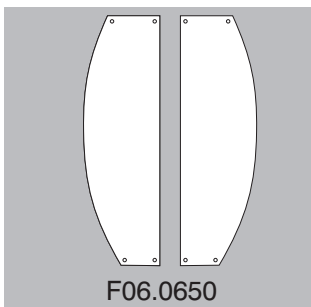
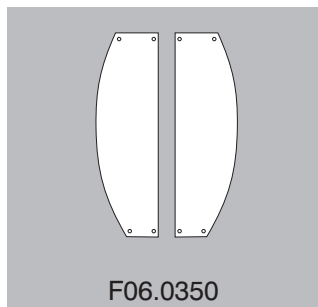
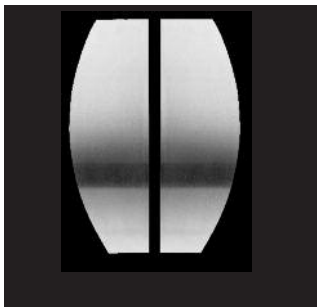


Radius push plates and protection

variations

www.scottbeaven.co.uk

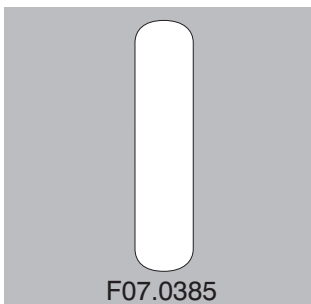
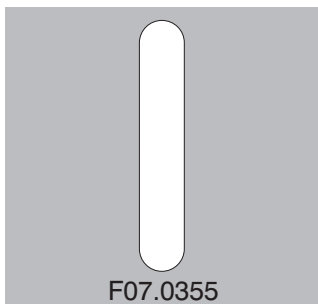


350mm high
F06.0350
F06.0350R

650mm high
F06.0650
F06.0650

Dimensions

Radius curve push plate

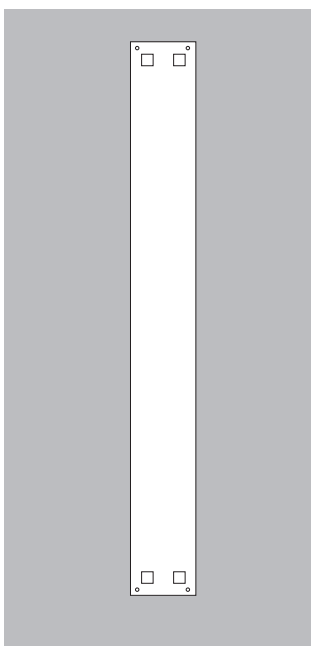
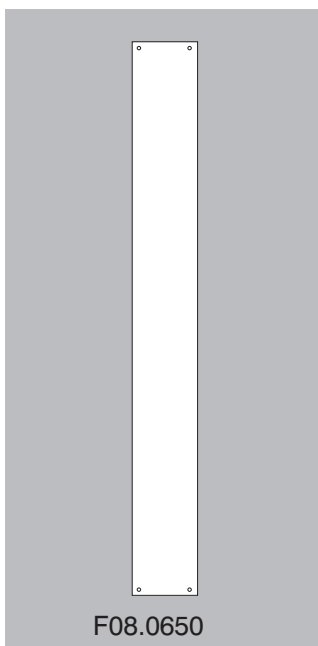


355 x 70mm
F07.0355

385 x 95mm
F07.0385

Dimensions

Radius rounded end push plate



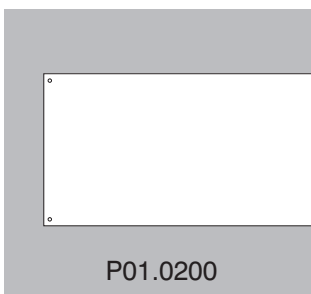
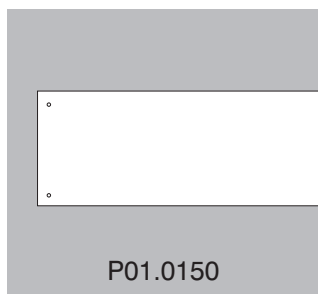
350 x 75mm
F08.0350

650 x 75mm
F08.0650

1800 x 75mm
F08.1800

Dimensions

Radius sq corner laser cut push plate available with polish inserts



150mm high
P01.0150

200mm high
P01.0200

600mm high
P01.0600

Dimensions

Radius sq corner laser cut kicking plate to measured door width
Additional sizes available upon request.

2mm thick material

Finishes Satin stainless steel Polished stainless steel Polished brass Bronze on brass Copper PVD