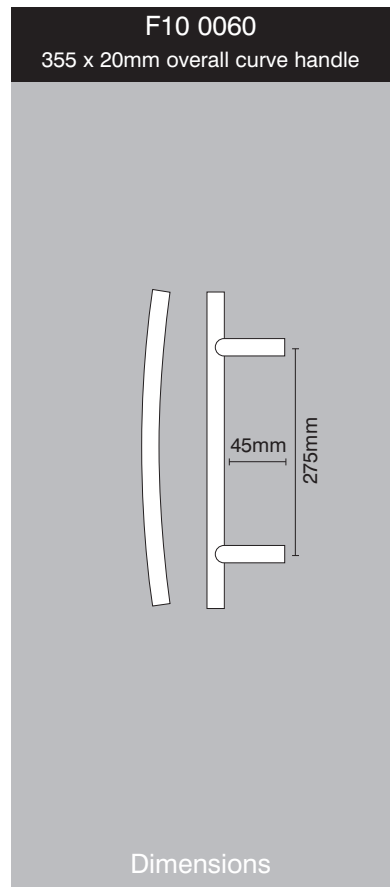
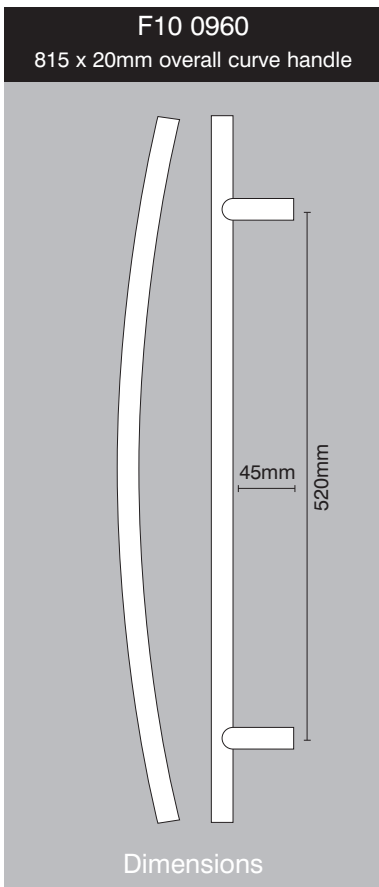


We also offer all aspects of architectural ironmongery to complement our range of stylish handles. With a full range of hinges, door closers, locks etc, you can rest assured we will specify the correct product to suit your application. Please ask for further details.

Radius F10 curve pull handle

variations www.scottbeaven.co.uk



Additional sizes available upon request.

UK manufacture					
Finishes	Satin stainless steel	Polished stainless steel	Polished brass	Bronze on brass	PVD