

Radius bespoke fittings

variations

www.scottbeaven.co.uk

Combined pull handles/
push handles with
interchangeable signage

Project
Manchester Airport

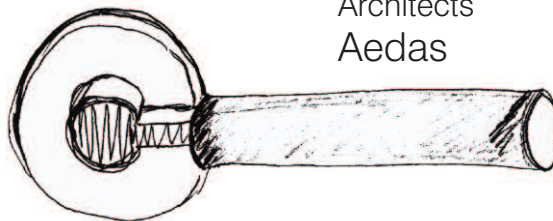
Architects
Grimshaws



Purpose-design lever handle
with sandblast grip

Project
Lateral Office
Development, Leeds

Architects
Aedas



Cast bronze handle to
match Matcham original

Project
London Coliseum

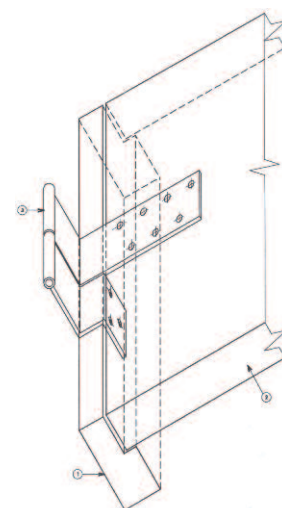
Architects
Arts Team @ RHWL



Purpose-made hinge
suit timber rainscreen
cladding

Project
Harrietsham School
Maidstone

Architects
Spacecraft Architects



Purpose-design S shape
lever handle

Project
Michelin, Stoke-on-Trent

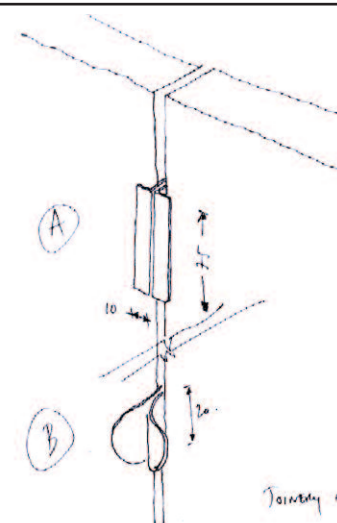
Architects
Fairhursts



Purpose-made
joinery handle

Project
21 Well Road
Hampstead

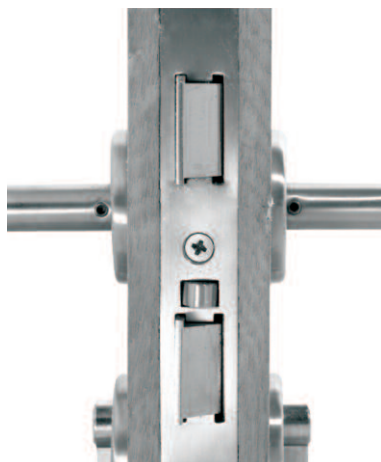
Architects
Webb Architects



Constant locking
sashlock

Project
LSE British Library
of Political and
Economic Science

Architects
Foster and Partners



Real ebony knob,
rose and escutcheon
matched to pattern

Project
Charlotte Square
Edinburgh

Architects
Simpson and Brown





New Briton-type door closer to match existing

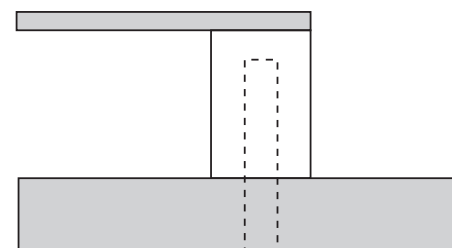
Project
Alderman Fenwicks House
Newcastle upon Tyne

Architects
Simpson and Brown

Purpose-made push-pull handle

Project
42-48 Bell Street
Camden

Architects
Chassay & Last
Architects



Prototype pull handle with laser engraved pattern

Project
National Railway Museum
York

Architects
Darnton Elgee



Satin stainless push plates with polish stainless inserts

Project
Lloyds Court
Grey Street
Newcastle upon Tyne

Architects
Purves Ash



Solid bronze lever handle with glass grip

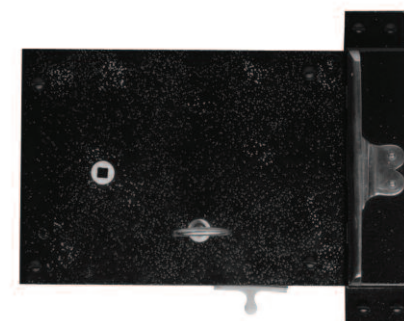
Project
Dickinson Dees
Newcastle upon Tyne
Architects
Howarth Litchfield Architects



Purpose-made rim lock to match Macintosh original

Project
Broughton House
Kirkcudbright

Architects
Johnston & Wright



Purpose-design steel handle with solid bronze grip

Project
Keysign House
Oxford Street
W1

Architects
Woods Bagot



Purpose-designed ironmongery

Project
36 Newman Street, W1

Architects
CZWG

